

## HEATING FREE-STANDING WASH BASIN

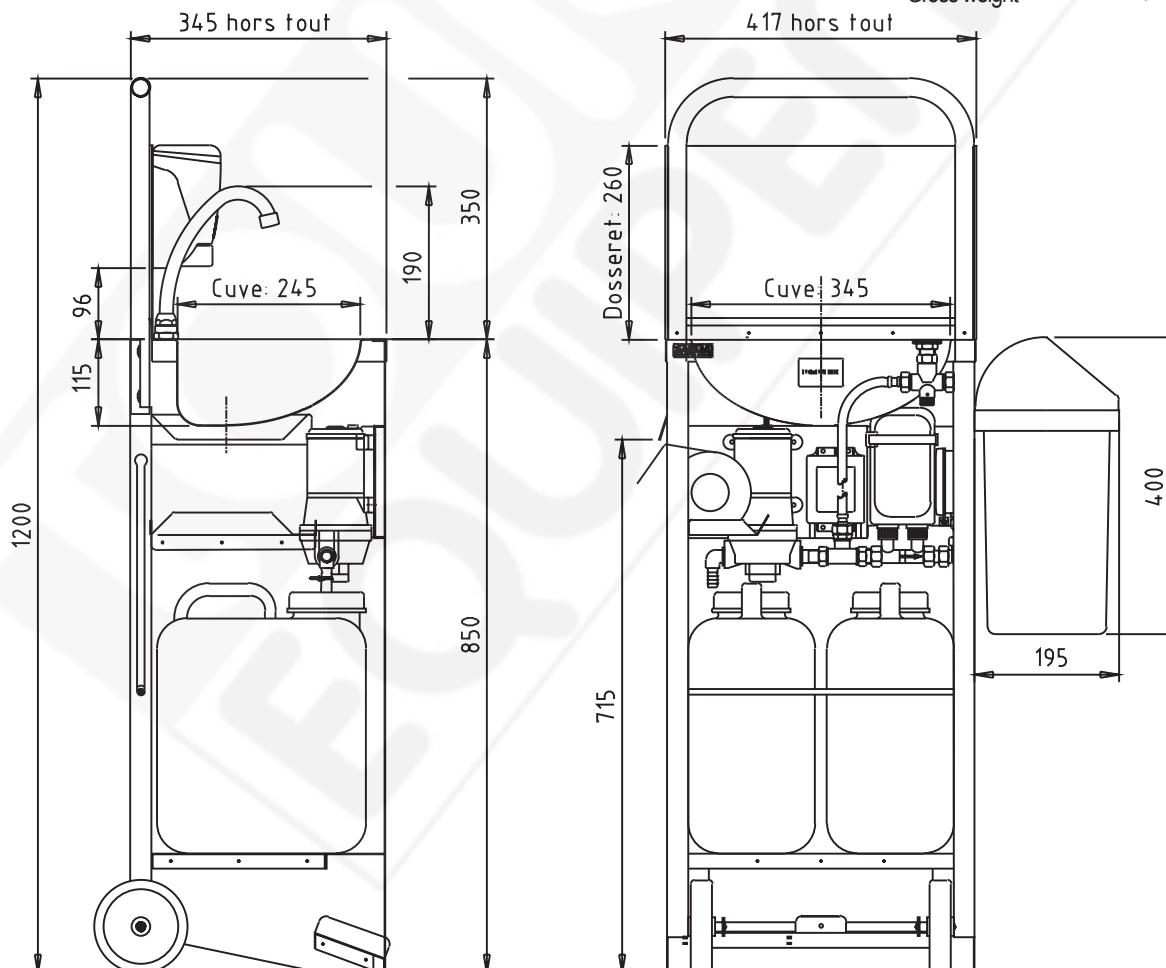


### TECHNICAL SPECIFICATIONS:

- Stainless steel construction.
- Tubular stainless steel handle, diameter Ø25 mm.
- Fixed wheels Ø 125 mm.
- Stainless steel splash back.
- Goose neck tap.
- Power supply cord 3G2, 5 mm<sup>2</sup>.
- Foot-operated control: 12 V DC electric pump powered by a transformer
- 230 V water heater~: instant 40°C for water at 15°C.
- 2 jerrycans of 13 litres (1 clean water + 1 waste water).
- Soap dispenser (capacity 500ml).
- Paper towel dispenser (1 roll supplied).
- Hook-on bin (12 litres) dimensions 250 x 200 x 400 mm.

### • Reference 806 519

- Voltage rating	: 230V 1N~
- Frequency	: 50 Hz
- Input power	: 3700 W
- Appliance classification	: I
- Protection index	: IP 25
- Standard	: NF EN 60335-1
- Net weight	: 22 kg
- Gross weight	: 24 kg



This document is not binding. The specifications given are subject to change with a view to improvement.

TOURNUS EQUIPEMENT - 25 avenue Jean Moulin - B.P.59  
F-71 700 TOURNUS - Tel. +33 (0)3 85 27 42 42 - Fax +33 (0)3 85 27 42 50