

REGAL 0835

BENCHTOP VACUUM PACKER

The PureVac Regal 0835 is a compact benchtop vacuum packaging machine. Made in Holland, the machines combine tightly crafted and functional design with ease of use and operation.

Vacuum packing with PureVac will improve your production and storage functions, save you money and contribute to your food safety and HACCP guidelines.

With an 8m³/h capacity Busch pump and a 350mm sealing bar, the PureVac Regal 0835 will vacuum pack a large range of food products in any small-to-medium sized business.



STANDARD FEATURES

- Stainless steel housing and deep-drawn vacuum chamber with round corners for optimal hygiene
- Removable wireless sealing bar
- Insert plates for fast vacuum cycle and product adjustment
- Gentle air flow return for better product protection
- Optimal final vacuum 99.80% (2 mbar)
- 2 x 3.5mm seal wires for an extra-strong double seal
- Time control - Command in seconds for vacuum and seal
- STOP button for partial/full cycle interruption
- Digital maintenance program for pump
- Automatic reminder for oil replacement
- Service kit for user maintenance



Busch vacuum pumps, world leaders in vacuum pump technology



Two years parts and labour warranty

SPECIFICATIONS ARE SUBJECT TO CHANGE WITHOUT NOTICE.

From the world of Comcater!

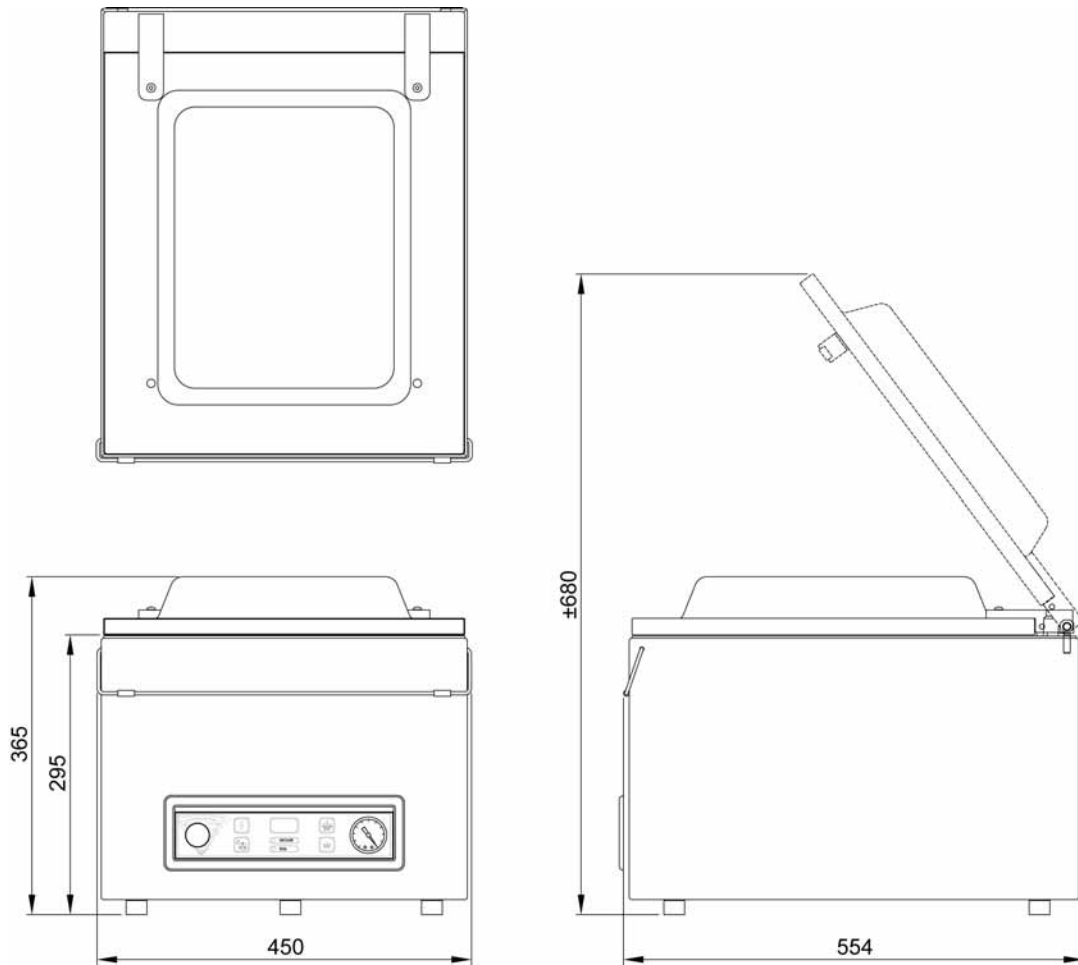
National Head Office
156 Swann Drive
Derrimut VIC 3030
Tel: +61 3 8369 4600
Fax: +61 3 8369 4695

Melbourne
96-100 Tope Street,
South Melbourne VIC 3205
Tel: +61 3 8369 4600
Fax: +61 2 8699 1299

Sydney
20/4 Avenue of the Americas
Newington, NSW 2127
Tel: +61 2 9748 3000
Fax: +61 2 9 648 4762

Brisbane
1/62 Borthwick Avenue
Murarrie QLD 4172
Tel: +61 7 3399 3122
Fax: +61 7 3399 5311

REGAL 0835



DIMENSIONS

External: 450W x 554D x 365H mm

Chamber: 350W x 370D x 150H mm

Sealing Bar: 350mm

Weight: 35Kg

TECHNICAL DATA

Power Supply: 240V, 50Hz, Single Phase

Power Output: 0.4kW

Capacity pump: 8 m³/h

Machine cycle: 20-40 seconds

OPTIONS

- Inclined insert plate for packing liquid products
- Trolleys with 3 shelves and lockable castors

SPECIFICATIONS ARE SUBJECT TO CHANGE WITHOUT NOTICE.